

Appliance Specifications

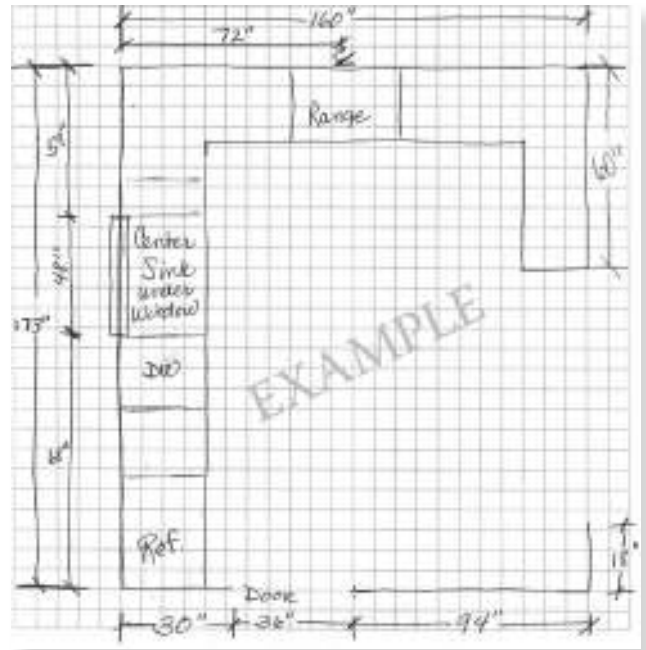
APPLIANCE	BRAND	MODEL	Appliance Dimensions Width x Height x Depth	Cutout Dimensions Width x Height x Depth	Panel Dimensions Width x Height x Depth
Refrigerator with panel <input type="radio"/> YES <input type="radio"/> NO					
Range					
Range hood					
Cook top					
Downdraft ventilator					
Single oven					
Double oven					
Microwave					
Over the range microwave					
Dishwasher with panel <input type="radio"/> YES <input type="radio"/> NO					
Sink <input type="radio"/> Under-mount <input type="radio"/> Farm <input type="radio"/> Single <input type="radio"/> Double					
Prep sink Location _____					
Compactor with panel <input type="radio"/> YES <input type="radio"/> NO					
Wine/beverage cooler with panel <input type="radio"/> YES <input type="radio"/> NO					
Warming drawer with panel <input type="radio"/> YES <input type="radio"/> NO					
Ice maker with panel <input type="radio"/> YES <input type="radio"/> NO					
Washer					
Dryer					
Television					
Other					
Other					
Other					

Drawing Your Floor Plan

FLOOR PLAN INFORMATION

- Begin by drawing the shape of your room. Add doors, windows, breaks in the wall and all obstructions. Indicate in which direction doors swing and where they lead.
- Measure all around the room until everything is located, measured and marked on your sketch.
- Indicate the overall length and height of walls. For new construction, remember to account for sheetrock thickness.
- Check that you correctly measured your room by adding your measurements for each wall and comparing them to the opposite wall.
- Include dimensions of islands or peninsulas.

IMPORTANT: WE STRONGLY RECOMMEND A PROFESSIONAL INSTALLER OR CONTRACTOR DOES THE FINAL MEASUREMENTS.



WINDOW AND DOOR DIMENSIONS

Measure the dimensions of all the windows and doors in the room. For door measurements use A for door width and B for door height. Also, make note of the door hinge and swing.

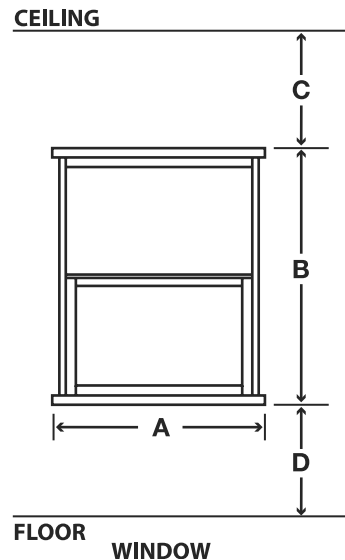
Window and door measurements A and B should include trim.

Use the number designation from the grid (1,2,3,etc.) to label the location of the windows and doors on your final floor plan.

Please record all dimensions in inches.

WINDOWS

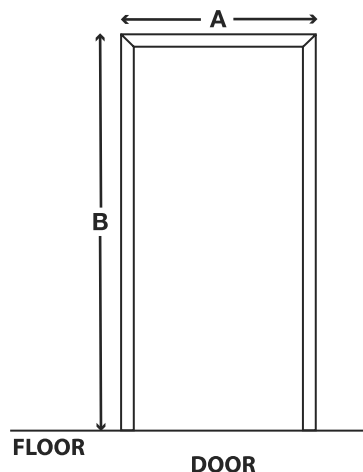
	A	B	C	D
1				
2				
3				
4				



CEILING

DOORS

	A	B	Hinge (left/right)	Swing (in/out)
1				
2				
3				
4				

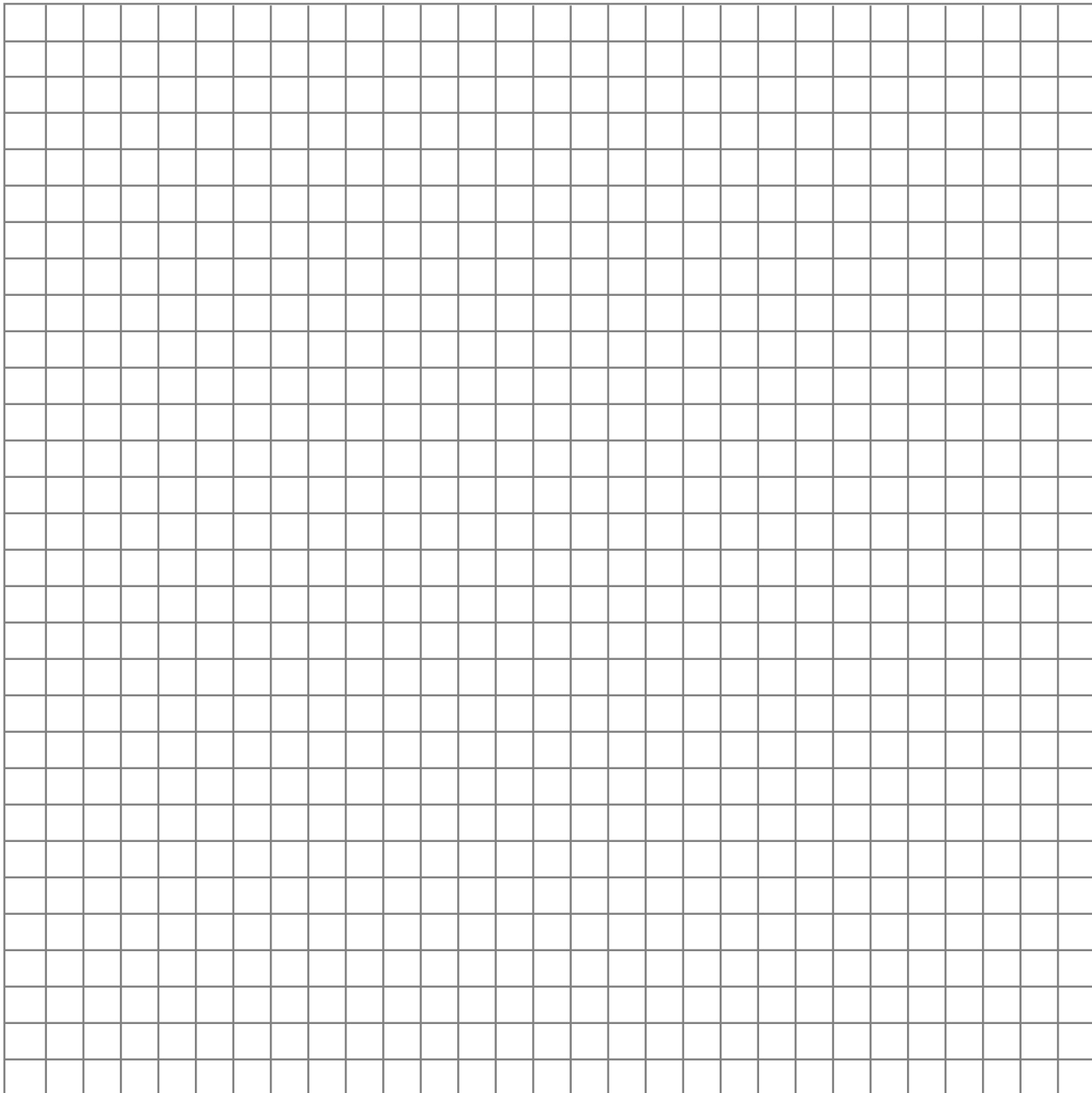


Floor Plan

RECOMMENDED SCALE: 1/2 INCH = 1 FOOT

NOTE: PLEASE INCLUDE THE FOLLOWING ON THE FLOOR PLAN DRAWING:

1. Dimensional floor plan with all openings (doors and windows)
2. Ceiling height
3. Any unusual architectural details in the room.



ROOM INFORMATION

Measure the dimensions requested below for the cabinetry as it exists in the room today. (See diagram at right)

Record measurements in inches, on the lines indicated below:

A Finished Floor to Ceiling Height _____

B Finished Floor to top of Wall Cabinet _____

C Soffit/Open Area Height _____

D Wall Cabinet Height _____

Bathroom Information

A Finished Floor to Ceiling Height _____

E Vanity Height _____

